

BioVision Veterinary Endoscopy

Specification sheet

Laparoscopes, Non-Operating

5mm, 0 Degree - Part: BVTENDO3-00004

5mm, 30 Degree - Part: Special Order

10mm, 0 Degree - Part: BVTENDO3-00005

10mm, 30 Degree - Part: Special Order

Applications:

Laparoscopy

Thoracoscopy

Diagnostic Rigid Endoscopy

Summary:

Allows excellent visualization of large interior volumes. Well fit to exploratories or as a secondary/ back up scope.

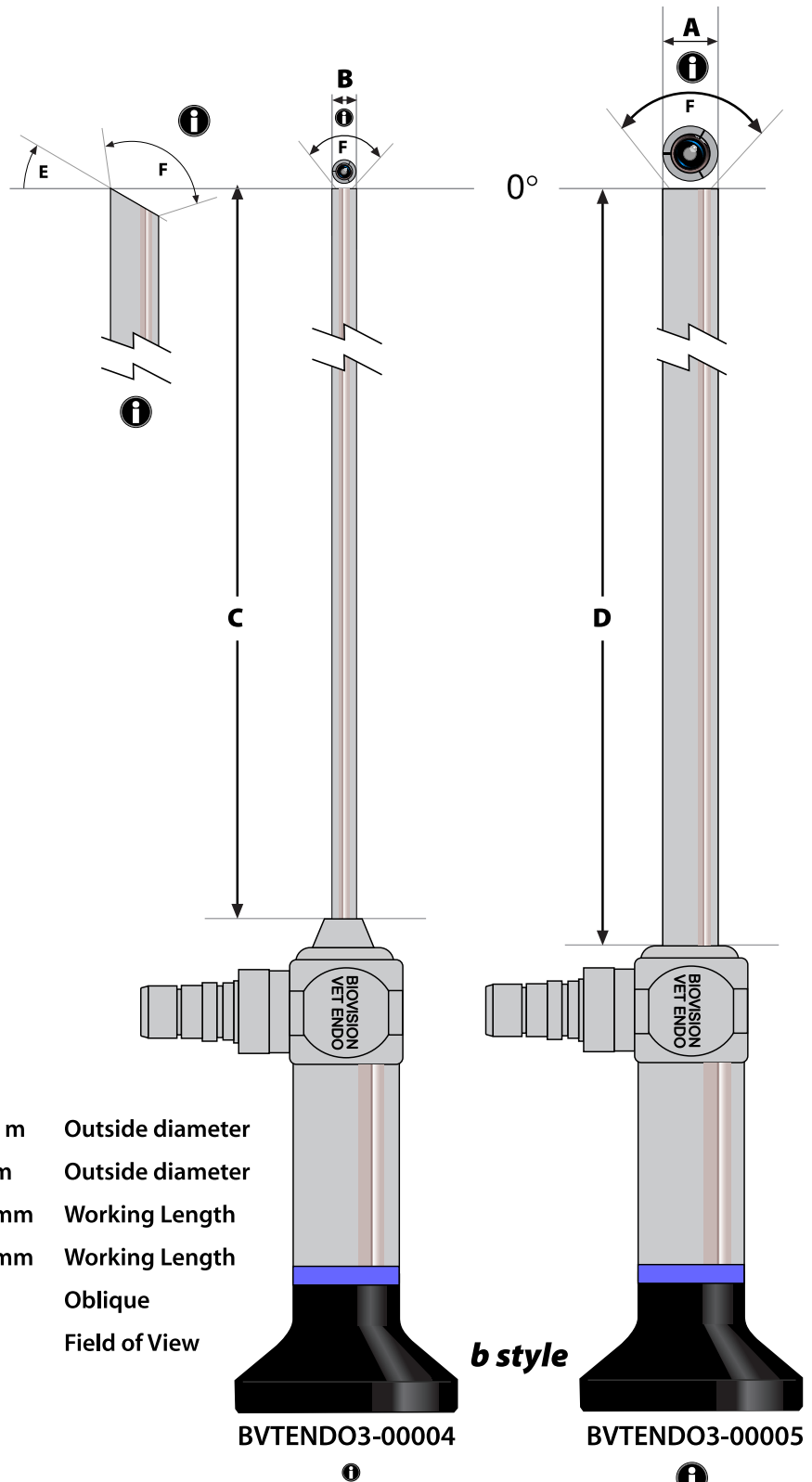
Features:

Large, Pristine Rod Lens Optics

Unparalleled light transmission

Standardized light and image connections

Low Temperature Sterilizable



i Non-Inverting Optics



- A** 10m m Outside diameter
- B** 5m m Outside diameter
- C** 290mm Working Length
- D** 320mm Working Length
- E** 30° Oblique
- F** 80° Field of View

BVTENDO3-00004

b style

BVTENDO3-00005



BioVision Veterinary Endoscopy, 221 Corporate Circle Suite H, Golden, Colorado 80401 biovisiontech.com

Drawings not to scale. Shipping items may have minor cosmetic differences from that pictured.

BVT91462-00008-A
120704